



# FLECK 3200 SERIES ELECTROMECHANICAL TIMER OWNER'S MANUAL



## FEATURES OF YOUR WATER CONDITIONING SYSTEM

---

Congratulations on the purchase of your new water treatment system featuring the 3200 Series Electromechanical Timer.

You will have peace of mind knowing your system will bring you years of treated water use and enjoyment.

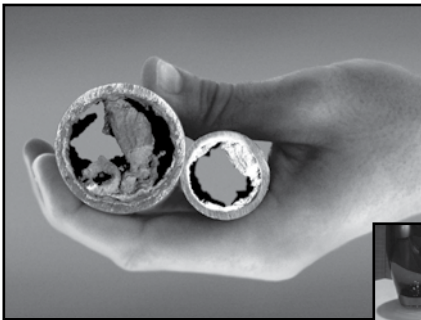
Your water conditioning system helps you:

**Eliminate:**

- Stains
- Scale Deposits
- Soap Scum
- Clogged Plumbing
- Dissolved Minerals

**Enjoy:**

- Longer lasting appliances (up to 30% longer)
- Less detergent / soap / cleanser use
- Greater lathering of soap
- Cleaner dishes, towels, and linens
- Softer skin



# MANUAL OVERVIEW

---

## How To Use This Manual

This owner's manual is designed to provide the equipment owner with instructions on performing routine care and maintenance of the water softener or filter valve and control packaged with this manual.

This manual does not include instructions regarding installation, setup, service, or troubleshooting of the valve, control, or other components of a water conditioning system. Please contact your local water treatment professional with questions or concerns about the operation or performance of your water conditioning system.

## Icons That Appear In This Manual

**⚠ WARNING:** Failure to follow this instruction can result in personal injury or damage to the equipment.

**NOTE:** This will make the process easier if followed.

## General Warnings

**⚠ WARNING:** There are no user-serviceable parts in the AC adapter, motor, or controller. Do not attempt to remove or repair individual components.

**⚠ WARNING:** Use only the power transformer supplied with this water conditioning system.

**⚠ WARNING:** The power outlet must be grounded and always on. If it is necessary to disconnect power, unplug the AC adapter from its power source.

**⚠ WARNING:** Only fill the brine tank with salt designed for water softening.

**⚠ WARNING:** Ambient temperature surrounding the system should be between 35°F (1°C) and 120°F (49°C).

**⚠ WARNING:** Water temperature flowing through the system should be between 35°F (1°F) and 100°F (38°C).

## California Proposition 65 Warning

**⚠ WARNING:** This product contains chemicals known to the State of California to cause cancer or birth defects or other reproductive harm.

Job No. \_\_\_\_\_

Model No. \_\_\_\_\_

Water Test \_\_\_\_\_

Capacity Per Unit \_\_\_\_\_ Maximum \_\_\_\_\_ Per Regeneration

Mineral Tank Size \_\_\_\_\_ Diameter \_\_\_\_\_ Height

Brine Tank Size & Salt Setting per Regeneration \_\_\_\_\_

Control Valve Specifications

Type of Timer: \_\_\_\_\_ Std. \_\_\_\_\_ "L" \_\_\_\_\_ 7-Day \_\_\_\_\_ 12-Day \_\_\_\_\_ Meter, Std. \_\_\_\_\_ Meter, Ext.

Day/Time of Regeneration: \_\_\_\_\_

Drain Line Flow Control: \_\_\_\_\_ gpm

Brine Refill Rate: \_\_\_\_\_ gpm

Injector Size: \_\_\_\_\_ gpm

Meter Gallon Setting \_\_\_\_\_ Gallons

# SETTING TIME OF DAY AND INITIATING A MANUAL REGENERATION

## 3200 Model

### Setting the Time of Day

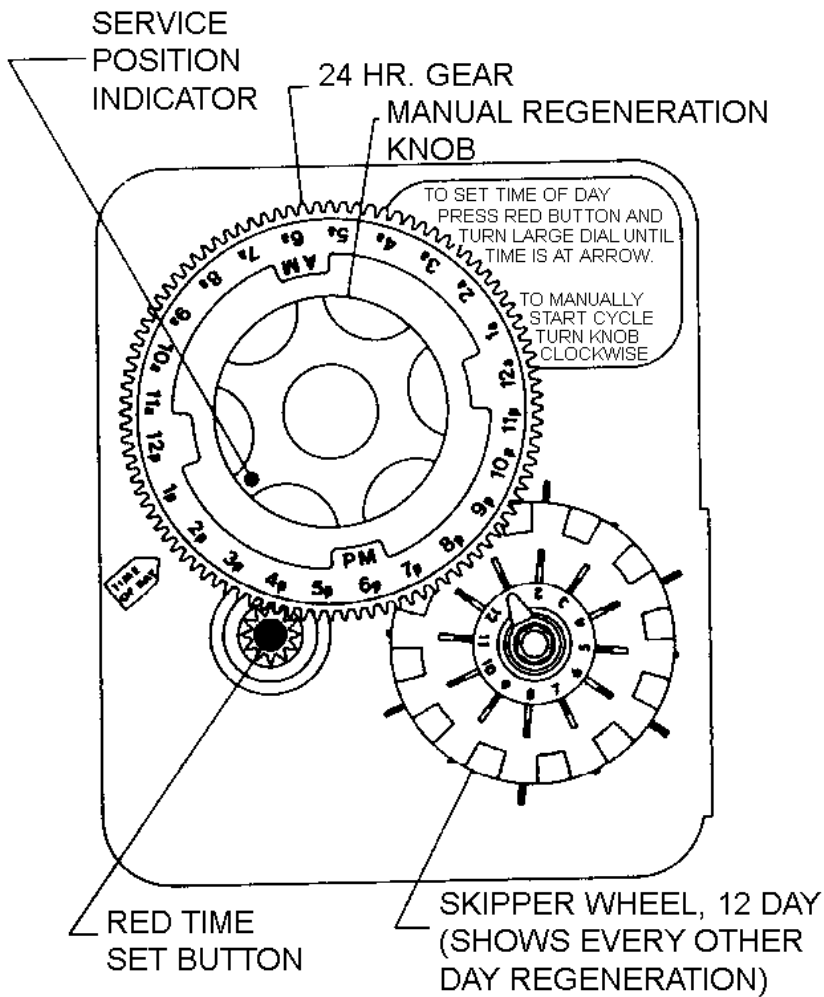
To set the time of day, push the red Time Set button and spin the 24-Hour Gear until the present time of day is above the Time of Day Arrow.

### Setting the Skipper Wheel

Set the days that regeneration is to occur by sliding tabs on the skipper wheel outward to expose trip fingers. Each tab represents one day, and the red pointer on the skipper wheel points to the finger representing tonight. Moving clockwise from the pointer, extend or retract fingers to obtain the desired regeneration schedule.

### Forcing a Manual Regeneration

To manually regenerate the valve, turn the manual regeneration knob clockwise until the valve motor starts to turn.



# SETTING TIME OF DAY AND INITIATING A MANUAL REGENERATION

*continued*

## 3210 Model

### Setting the Time of Day

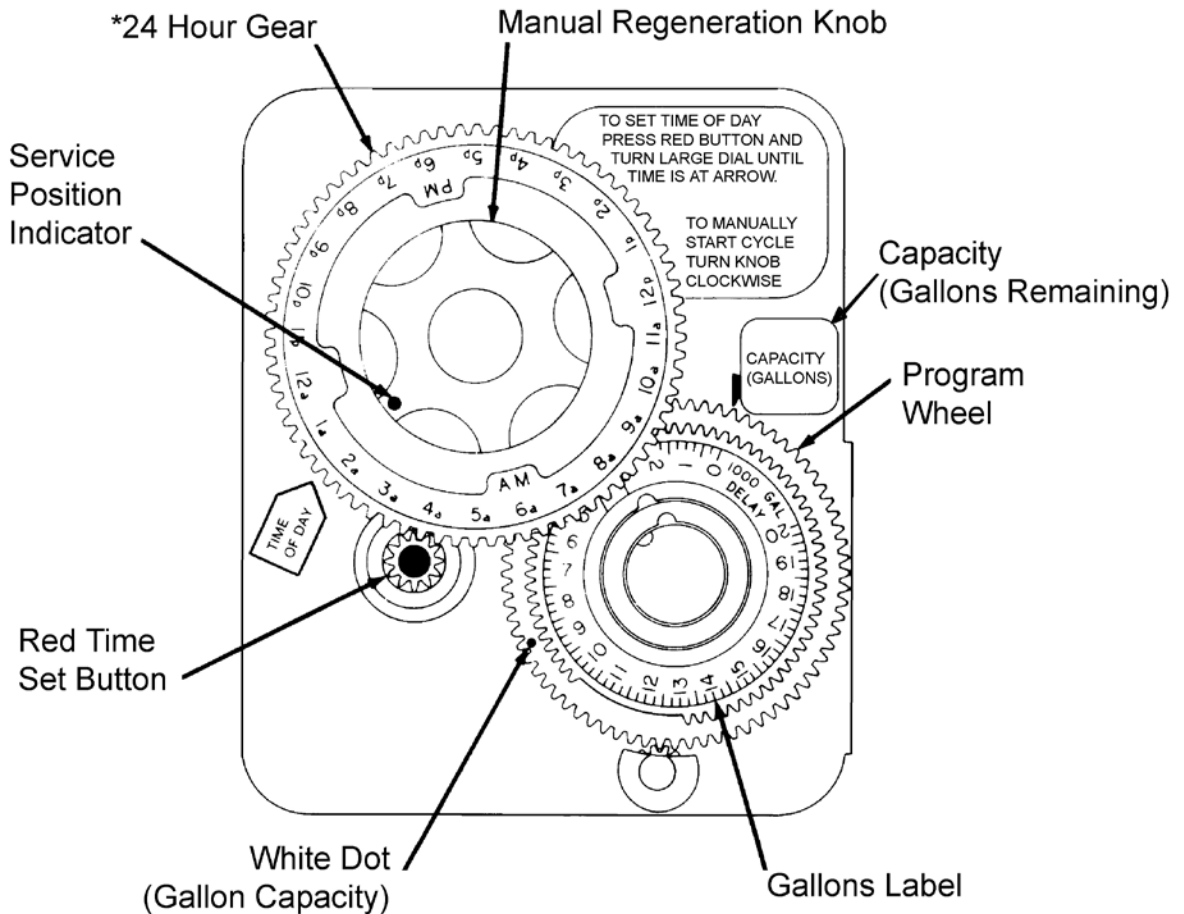
To set the time of day, push the red Time Set button and spin the 24-Hour Gear until the present time of day is above the Time of Day Arrow.

### Setting the Program Wheel

To set the program wheel, lift gallon wheel and rotate it so that the volume of water (gallons or cubic meters) can be treated is aligned with the white dot on the program wheel. Release the dial and check for firm alignment at the setting.

### Forcing a Manual Regeneration

To manually regenerate the valve, turn the manual regeneration knob clockwise until the valve motor starts to turn.



\*Immediate regeneration timers do not have a 24-hour gear. No time of day can be set.

## **BYPASSING THE WATER CONDITIONING SYSTEM**

A bypass should be installed on all water conditioning systems. A bypass isolates the conditioner from the water system and allows unconditioned water to be used while the conditioner is undergoing service or maintenance procedures or if the conditioner is experiencing performance issues. Figures 1, 2, and 3 show the most common bypass methods.

### **Metal Bypass Valve**

This type of bypass is located directly behind the conditioner valve on top of the media tank. To bypass the conditioner system using this type of bypass, turn the handle on top of the bypass until the arrow on the handle is pointing to the word **BYPASS** stamped on the bypass valve body.

To return the conditioner system to regular service, turn the bypass handle until the arrow on the handle is pointing to **SERVICE** (see Figure 2).

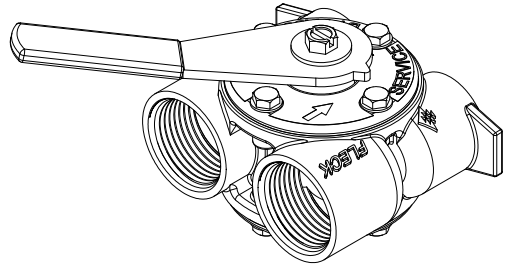


Figure 1 Metal Bypass Valve

### **Plastic Bypass Valve**

This type of bypass is also located directly behind the conditioner valve on top of the media tank. To bypass the conditioner system using this type of bypass, turn both of the small handles on the bypass until they are in the position shown in Figure 3, perpendicular to the inflow and outflow plumbing.

To return the conditioner system to regular service, turn both of the small handles on the bypass back to their original positions, parallel with the inflow and outflow plumbing.

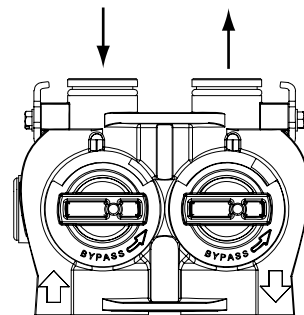


Figure 2 Plastic Bypass Valve

### **Manual Bypass**

This type of bypass system is plumbed into the pipes of the water system, and generally consists of three valves: one on the inflow line going into the conditioning system, one on the outflow line coming out of the conditioning system, and one on the bypass line connecting the inflow and outflow lines (See Figure 4).

To bypass the conditioner system using this type of bypass (following Figure 4), open Valve 2 and close Valves 1 and 3.

To return the conditioner system to regular service, open Valves 1 and 3 and close Valve 2.

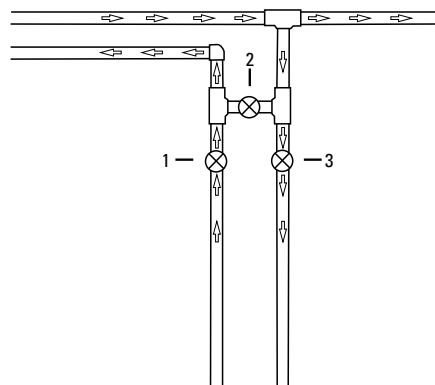


Figure 3 Manual Bypass

## CARE AND USE OF YOUR BRINE TANK

Each time the softener regenerates, salty water (brine) is needed to recondition the media in the water tank. The brine is pulled from the salt tank at a controlled amount. If the salt tank does not contain enough salt, the brine is weak, the media will not fully recondition and untreated water will pass through. To ensure the highest level of performance of your water conditioning system, please observe the following:

- Keep the brine tank filled with salt at all times. The salt level should always be higher than the water level in the brine tank.
- Only use salt designed for water softeners. Other types of salt (rock or snow melting) may contain dirt and chemicals that will affect the quality of your water and the performance of your water softener.
- Keep the brine tank covered.
- Empty and clean the tank every three years.

## TROUBLESHOOTING

Problem	Solution
Control valve fails to regenerate	Check for power outage and verify unit is plugged in. Attempt to perform a manual regeneration. See "SETTING TIME OF DAY AND INITIATING A MANUAL REGENERATION". If problem still exists, contact your local water treatment professional.
Water does not feel or appear soft	Check salt in brine tank and ensure salt level is above water level. If problem still exists, contact your local water treatment professional.
Unit uses too much salt	Contact your local water treatment professional.
Loss of water pressure	
Iron in conditioned water	
Excessive water in brine tank	
Other problems with the water softener	
Power Outage	Reset the Time of Day in the event of a power outage/failure. See "SETTING TIME OF DAY AND INITIATING A MANUAL REGENERATION".

DEALER STAMP

For product warranties, complete service manuals, and additional resources visit: [waterpurification.pentair.com](http://waterpurification.pentair.com)



All Pentair trademarks and logos are owned by Pentair, Inc. or its affiliates. All other registered and unregistered trademarks and logos are the property of their respective owners. Because we are continuously improving our products and services, Pentair reserves the right to change specifications without prior notice.

Pentair is an equal opportunity employer.

44051 REV A JA16 © 2016 Pentair Residential Filtration, LLC All Rights Reserved.